

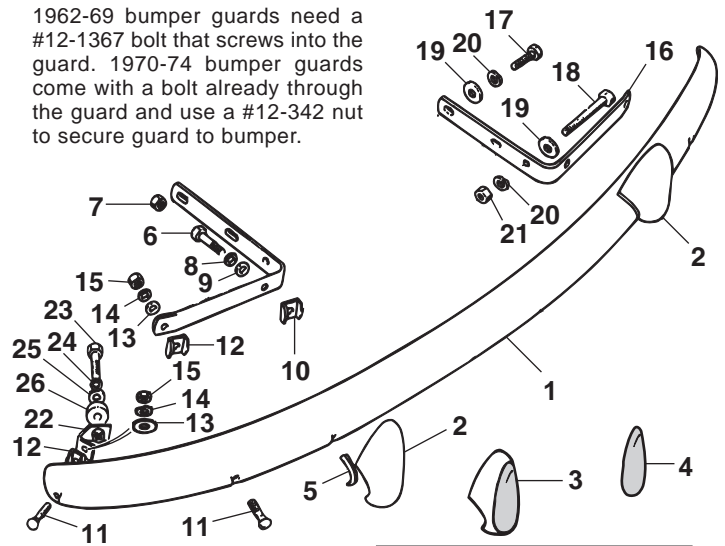
Front Bumper and Components

MGB & MGC 1962-74

Car Model	Chassis Number	Years
MGB Roadster MGB-GT	G-HN3-101 to G-HN4-187210 G-HD3-71933 to G-HD4-187840	1962-69 1962-69
MGB Roadster MGB-GT	G-HN5-187211 to G-HN5-219000 G-HD5-187841 to G-HD5-219000	1970 1970
MGB Roadster MGB-GT	G-HN5-219001 to G-HN5-339094 G-HD5-219001 to G-HD5-339471	1971-74 1971-74
MGC Roadster MGC-GT	G-CN-101 to G-CN-9099 G-CD-110 to G-CD-9102	1967-69 1967-69

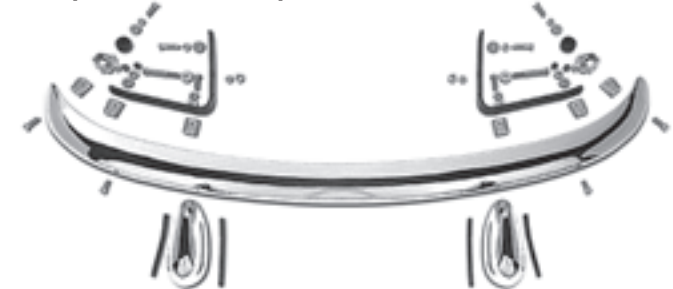
PART	ILL#	DESCRIPTION AND APPLICATION	REQD	LIST	SELL
9-939	(1)	FRONT BUMPER BAR	MGB MGC 62-74 (1)	149.94	119.95
9-906	(2)	BUMPER GUARD	MGB MGC 62-69 (2)	31.19	24.95
9-909	(3)	BUMPER GUARD W/BUFFER	MGB 70-74 (2)	31.19	24.95
9-1042	(4)	RUBBER BUFFER	MGB 70-74 (2)	7.44	5.95
9-8122	(5)	SEAL SET-BUMPER GUARD	MGB MGC 62-74 (1)	4.94	3.95
12-1367	(6)	BOLT-INNER	MGB MGC 62-69 (2)	1.19	.95
12-342	(7)	HEX NUT	MGB 70-74 (2)	.56	.45
14-643	(8)	WASHER-LOCKING	MGB MGC 62-74 (2)	.44	.35
12-2191	(9)	WASHER-PLAIN	MGB MGC 62-74 (2)	.44	.35
12-760	(10)	SPACER	MGB MGC 62-74 (2)	1.81	1.45
12-762	(11)	BUMPER BOLT-CHROME	MGB MGC 62-74 (4)	1.81	1.45
12-760	(12)	SPACER	MGB MGC 62-74 (4)	1.81	1.45
12-2191	(13)	WASHER-PLAIN	MGB MGC 62-74 (4)	.44	.35
14-643	(14)	WASHER-LOCKING	MGB MGC 62-74 (4)	.44	.35
12-342	(15)	NUT	MGB MGC 62-74 (4)	.56	.45
9-9239	(16)	FRONT SUPPORT-LH	MGB MGC 62-74 (1)	9.94	7.95
9-9240		FRONT SUPPORT-RH	MGB MGC 62-74 (1)	9.94	7.95
12-2561	(17)	BOLT-SHORT	MGB MGC 62-74 (2)	1.19	.95
12-1386	(18)	BOLT-LONG	MGB MGC 62-74 (2)	2.44	1.95
12-4365	(19)	WASHER-PLAIN	MGB MGC 62-74 (4)	.56	.45
12-407	(20)	WASHER-LOCKING	MGB MGC 62-74 (4)	.44	.35
12-343	(21)	NUT	MGB MGC 62-74 (4)	.56	.45
12-761	(22)	BRACKET	MGB MGC 62-74 (2)	6.19	4.95
12-1936	(23)	BOLT-INNER	MGB MGC 62-74 (2)	1.19	.95
14-643	(24)	WASHER-LOCKING	MGB MGC 62-74 (2)	.44	.35
12-2191	(25)	WASHER-PLAIN	MGB MGC 62-74 (2)	.44	.35
0-564	(26)	PAD-RUBBER	MGB MGC 62-74 (2)	2.44	1.95

1962-69 bumper guards need a #12-1367 bolt that screws into the guard. 1970-74 bumper guards come with a bolt already through the guard and use a #12-342 nut to secure guard to bumper.



Badge Bars - See Page 50

Complete Front Bumper Kit

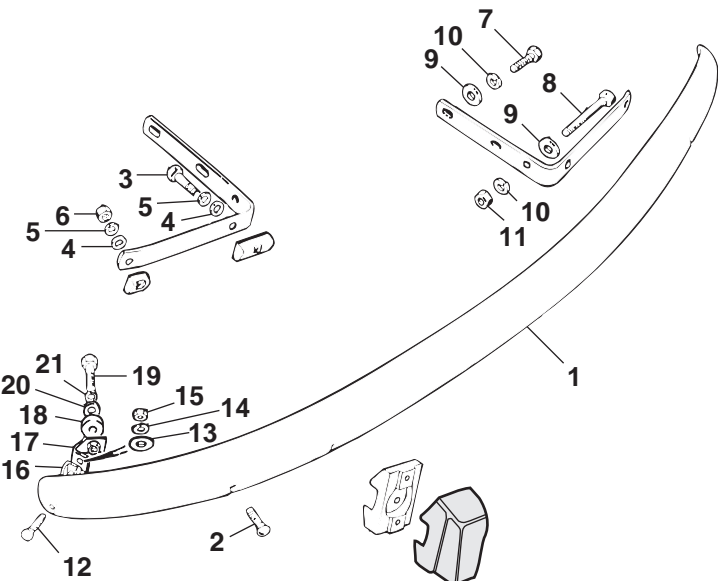


PART	DESCRIPTION AND APPLICATION	REQD	LIST	SELL
19-810	FRONT BUMPER KIT-COMPLETE	MGB 62-69 (1)	249.94	199.95
19-812	FRONT BUMPER KIT-COMPLETE	MGB 70-74 (1)	249.94	199.95

Front Bumper and Components

MGB 1974-74 1/2

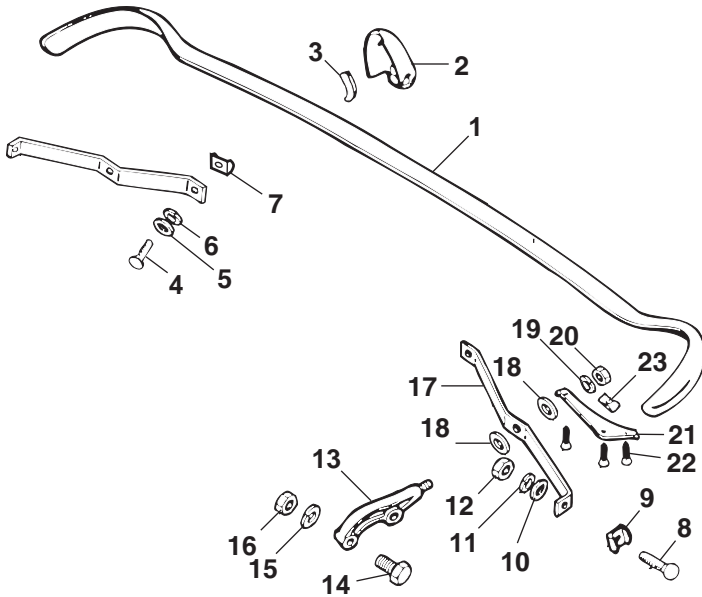
PART	ILL#	DESCRIPTION AND APPLICATION	REQD	LIST	SELL
9-939	(1)	FRONT BUMPER BAR	MGB 74-74 1/2 (1)	149.94	119.95
12-762	(2)	BUMPER BOLT-CHROME	MGB 74-74 1/2 (4)	1.81	1.45
18-835	(3)	BOLT-INNER	MGB 74-74 1/2 (2)	1.19	.95
12-2191	(4)	WASHER-PLAIN	MGB 74-74 1/2 (4)	.44	.35
14-643	(5)	WASHER-LOCKING	MGB 74-74 1/2 (4)	.44	.35
12-342	(6)	NUT	MGB 74-74 1/2 (4)	.56	.45
12-2561	(7)	BOLT-SHORT	MGB 74-74 1/2 (2)	1.19	.95
12-1387	(8)	BOLT-LONG	MGB 74-74 1/2 (2)	2.44	1.95
12-4365	(9)	WASHER-PLAIN	MGB 74-74 1/2 (4)	.56	.45
12-407	(10)	WASHER-LOCKING	MGB 74-74 1/2 (4)	.44	.35
12-343	(11)	NUT	MGB 74-74 1/2 (4)	.56	.45
12-762	(12)	BUMPER BOLT-CHROME	MGB 74-74 1/2 (2)	1.81	1.45
12-2191	(13)	WASHER-PLAIN	MGB 74-74 1/2 (2)	.44	.35
14-643	(14)	WASHER-LOCKING	MGB 74-74 1/2 (2)	.44	.35
12-342	(15)	NUT	MGB 74-74 1/2 (2)	.56	.45
12-760	(16)	SPACER	MGB 74-74 1/2 (2)	1.81	1.45
12-761	(17)	BRACKET	MGB 74-74 1/2 (2)	6.19	4.95
0-564	(18)	PAD-RUBBER	MGB 74-74 1/2 (2)	2.44	1.95
12-1936	(19)	BOLT-INNER	MGB 74-74 1/2 (2)	1.19	.95
12-2191	(20)	WASHER-PLAIN	MGB 74-74 1/2 (2)	.44	.35
14-643	(21)	WASHER-LOCKING	MGB 74-74 1/2 (2)	.44	.35



Rear Bumper and Components

MGB & MGC 1962-69

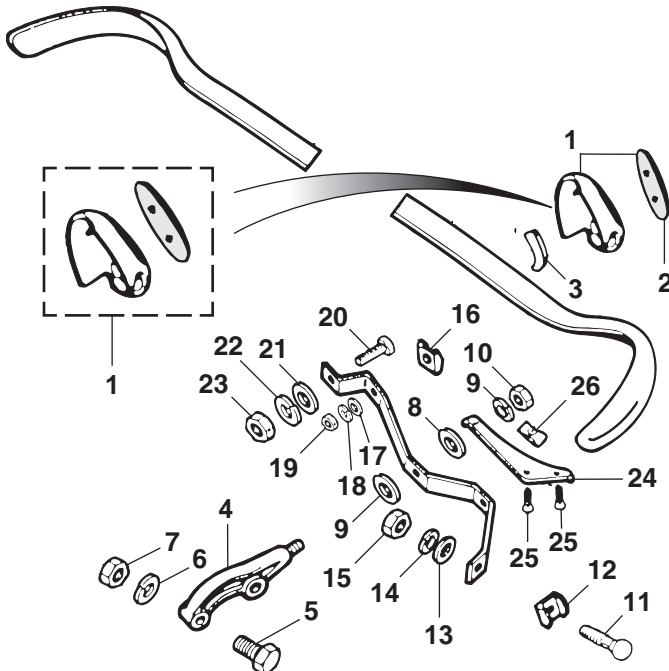
Car Model	Chassis Number	Years
MGB Roadster	G-HN3-101 to G-HN4-187210	1962-69
MGB-GT	G-HD3-71933 to G-HD4-187840	1962-69
MGC Roadster	G-CN-101 to G-CN-9099	1967-69
MGC-GT	G-CD-110 to G-CD-9102	1967-69



PART	ILL#	DESCRIPTION AND APPLICATION	REQD	LIST	SELL
9-9241	(1)	REAR BUMPER BAR	1PC	187.44	149.95
9-908	(2)	REAR BUMPER GUARD-LH	MGB MGC 62-69 (1)	31.19	24.95
9-907	(3)	REAR BUMPER GUARD-RH	MGB MGC 62-69 (1)	31.19	24.95
9-8122	(4)	SEAL SET-GUARDS	CAR SET	4.94	3.95
12-1368	(5)	BOLT-BRACKET TO BUMPER	MGB MGC 62-69 (2)	1.19	.95
14-643	(6)	WASHER-LOCKING	MGB MGC 62-69 (2)	.44	.35
12-2191	(7)	WASHER-PLAIN	MGB MGC 62-69 (2)	.44	.35
12-760	(8)	SPACER	MGB MGC 62-69 (2)	1.81	1.45

Rear Bumper Components

Car Model	Chassis Number	Years
MGB Roadster	G-HN5-187211 to G-HN5-219000	1970
MGB-GT	G-HD5-187841 to G-HD5-219000	1970



PART	ILL#	DESCRIPTION AND APPLICATION	REQD	LIST	SELL
12-762	(8)	BUMPER BOLT 1-3/8" CHROME	MGB MGC 62-69 (2)	1.81	1.45
12-760	(9)	SPACER	MGB MGC 62-69 (2)	1.81	1.45
12-2191	(10)	WASHER-PLAIN	MGB MGC 62-69 (2)	.44	.35
14-643	(11)	WASHER-LOCKING	MGB MGC 62-69 (2)	.44	.35
12-342	(12)	NUT	MGB MGC 62-69 (2)	.56	.45
19-031	(13)	REAR BUMPER MOUNT BRACKET	MGB MGC 62-69 (2)	31.19	24.95
12-1388	(14)	BOLT-BRACKET	MGB MGC 62-69 (4)	2.44	1.95
12-407	(15)	WASHER-LOCKING	MGB MGC 62-69 (4)	.44	.35
12-344	(16)	NUT	MGB MGC 62-69 (4)	.56	.45
9-600	(17)	SPRING BAR	MGB MGC 62-69 (2)	8.69	6.95
12-2782	(18)	WASHER-PLAIN	MGB MGC 62-69 (4)	2.44	1.95
12-2871	(19)	WASHER-LOCKING	MGB MGC 62-69 (2)	.44	.35
12-344	(20)	NUT	MGB MGC 62-69 (2)	.56	.45
9-602	(21)	FILLER-LH BUMPER TO BODY	MGB MGC 62-69 (1)	6.19	4.95
9-603	(22)	FILLER-RH BUMPER TO BODY	MGB MGC 62-69 (1)	6.19	4.95
12-454	(23)	SCREW-FILLER	MGB 62-69 (6)	.24	.19
12-901	(24)	NUT-LOCKING	MGB MGC 62-69 (6)	.44	.35

Complete Rear Bumper Kit



PART	DESCRIPTION AND APPLICATION	REQD	LIST	SELL
19-811	REAR BUMPER KIT-COMPLETE	MGB 62-69 (1)	249.94	199.95

PART	ILL#	DESCRIPTION AND APPLICATION	REQD	LIST	SELL
9-9242	(1)	REAR GUARD W/BUFFER-LH	MGB "A" 70 (1)	31.19	24.95
9-9243	(2)	REAR GUARD W/BUFFER-RH	MGB "A" 70 (1)	31.19	24.95
9-1042	(3)	RUBBER BUFFER	MGB 70 (2)	7.44	5.95
9-8122	(4)	SEAL SET-GUARD	CAR SET	4.94	3.95
19-031	(5)	REAR BUMPER MOUNT BRACKET	MGB 70 (2)	31.19	24.95
12-1388	(6)	BOLT-BRACKET	MGB 70 (4)	2.44	1.95
12-407	(7)	WASHER-LOCKING	MGB 70 (4)	.44	.35
12-344	(8)	NUT	MGB 70 (4)	.56	.45
12-2782	(9)	WASHER-PLAIN	MGB 70 (4)	2.44	1.95
12-2871	(10)	WASHER-LOCKING	MGB 70 (2)	.44	.35
12-344	(11)	NUT	MGB 70 (2)	.56	.45
12-762	(12)	BUMPER BOLT 1-3/8" CHROME	MGB 70 (4)	1.81	1.45
12-760	(13)	SPACER	MGB 70 (4)	1.81	1.45
12-2191	(14)	WASHER-PLAIN	MGB 70 (4)	.44	.35
14-643	(15)	WASHER-LOCKING	MGB 70 (4)	.44	.35
12-342	(16)	NUT	MGB 70 (4)	.56	.45
12-760	(17)	SPACER	MGB 70 (2)	1.81	1.45
12-2191	(18)	WASHER-PLAIN	MGB 70 (2)	.44	.35
14-643	(19)	WASHER-LOCKING	MGB 70 (2)	.44	.35
12-342	(20)	NUT	MGB 70 (2)	.56	.45
12-303	(21)	BOLT-BRACKET TO BODY	MGB 70 (2)	.94	.75
14-398	(22)	WASHER-PLAIN	MGB 70 (2)	.19	.15
14-643	(23)	WASHER-LOCKING	MGB 70 (2)	.44	.35
12-342	(24)	NUT	MGB 70 (2)	.56	.45
9-602	(25)	FILLER-LH BUMPER TO BODY	MGB 70 (1)	6.19	4.95
9-603	(26)	FILLER-RH BUMPER TO BODY	MGB 70 (1)	6.19	4.95
12-454	(27)	SCREW-FILLER	MGB 70 (6)	.24	.19
12-901	(28)	NUT-LOCKING	MGB 70 (6)	.44	.35

Note: "A" Original rear bumper guard for 1970 MGBs is no longer available. We supply later bumper guards from 1971-74 for this application. The difference is the distance between mounting holes for license plate lamps. Using our bumper guards here you have two choices:

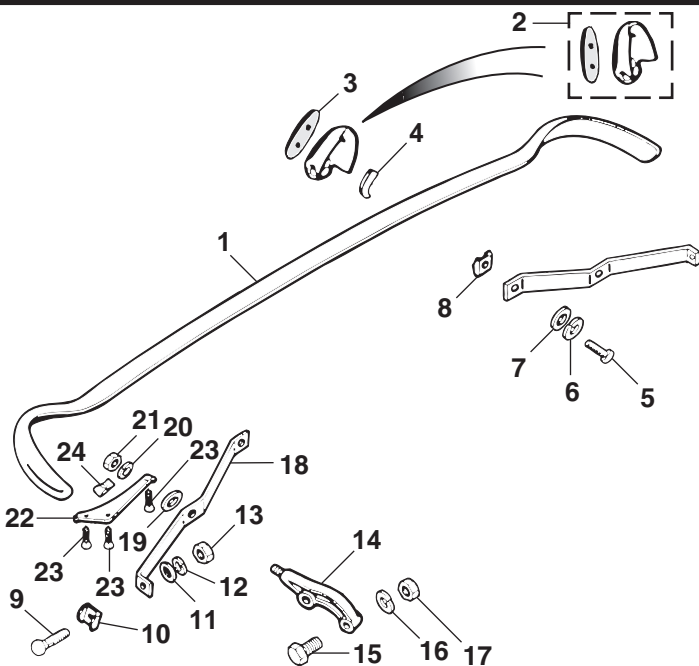
- 1) Drill out new mounting holes to fit your original type lamp from 1970, our part #8-731.
- 2) Fit the later license plate lamps originally fitted to 1971-74 models, our part #8-781. For license plate lamps, see page 170.

Rear Bumper and Components

MGB 1971-74

Car Model	Chassis Number	Years
MGB Roadster	G-HN5-219001 to G-HN5-339094	1971-74
MGB-GT	G-HD5-219001 to G-HD5-339471	1971-74

PART	ILL#	DESCRIPTION AND APPLICATION	REQD	LIST	SELL
9-9241	(1)	REAR BUMPER BAR IPC MGB	71-74 (1)	187.44	149.95
9-9242	(2)	REAR GUARD W/BUFFER-LH MGB	71-74 (1)	31.19	24.95
9-9243		REAR GUARD W/BUFFER-RH MGB	71-74 (1)	31.19	24.95
9-1042	(3)	RUBBER BUFFER MGB	71-74 (2)	7.44	5.95
9-8122	(4)	SEAL SET-GUARDS CAR SET MGB	71-74 (1)	4.94	3.95
12-1368	(5)	BOLT-BUMPER TO BRACKET MGB	71-74 (2)	1.19	.95
14-643	(6)	WASHER-LOCKING MGB	71-74 (2)	.44	.35
12-2191	(7)	WASHER-PLAIN MGB	71-74 (2)	.44	.35
12-760	(8)	SPACER MGB	71-74 (2)	1.81	1.45
12-762	(9)	BUMPER BOLT 1-3/8" CHROME MGB	71-74 (2)	1.81	1.45
12-760	(10)	SPACER MGB	71-74 (2)	1.81	1.45
12-2191	(11)	WASHER-PLAIN MGB	71-74 (2)	.44	.35
14-643	(12)	WASHER-LOCKING MGB	71-74 (2)	.44	.35
12-342	(13)	NUT MGB	71-74 (2)	.56	.45
19-031	(14)	REAR BUMPER MOUNT BRACKET MGB	71-74 (2)	31.19	24.95
12-1388	(15)	BOLT-BRACKET MGB	71-74 (4)	2.44	1.95
12-407	(16)	WASHER-LOCKING MGB	71-74 (4)	.44	.35
12-344	(17)	NUT MGB	71-74 (4)	.56	.45
9-600	(18)	SPRING BAR MGB	71-74 (2)	8.69	6.95
12-2782	(19)	WASHER-PLAIN MGB	71-74 (2)	2.44	1.95
12-2871	(20)	WASHER-LOCKING MGB	71-74 (2)	.44	.35
12-344	(21)	NUT MGB	71-74 (2)	.56	.45
9-602	(22)	FILLER-LH-BUMPER TO BODY MGB	71-74 (1)	6.19	4.95
9-603		FILLER-RH-BUMPER TO BODY MGB	71-74 (1)	6.19	4.95
12-454	(23)	SCREW-FILLER MGB	71-74 (6)	.24	.19
12-901	(24)	NUT-LOCKING MGB	71-74 (6)	.44	.35



Complete Rear Bumper Kit

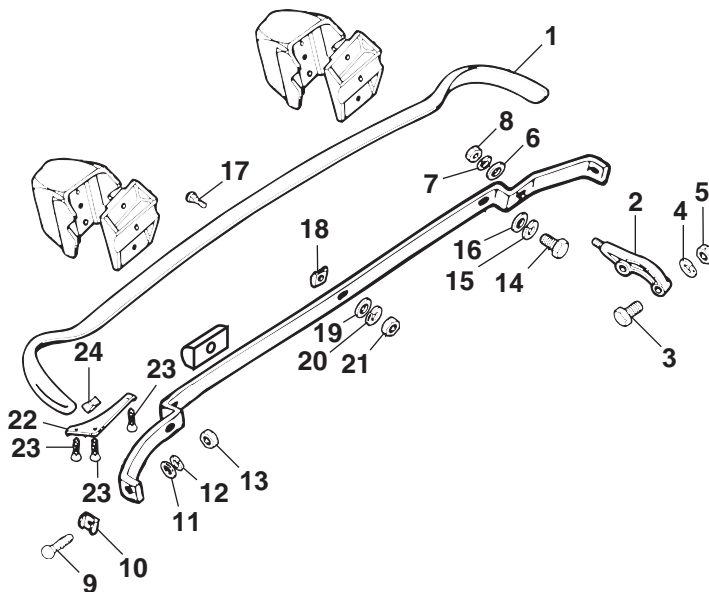


PART	DESCRIPTION AND APPLICATION	REQD	LIST	SELL
19-813	REAR BUMPER KIT-COMPLETE MGB	70-74 (1)	249.94	199.95

Rear Bumper and Components

MGB 1974-74 1/2

PART	ILL#	DESCRIPTION AND APPLICATION	REQD	LIST	SELL
9-9241	(1)	REAR BUMPER BAR "A" MGB	74-74 1/2 (1)	187.44	149.95
19-031	(2)	REAR BUMPER MOUNT BRACKET MGB	74-74 1/2 (2)	31.19	24.95
12-1388	(3)	BOLT-BRACKET MGB	74-74 1/2 (4)	2.44	1.95
12-407	(4)	WASHER-LOCKING MGB	74-74 1/2 (4)	.44	.35
12-344	(5)	NUT MGB	74-74 1/2 (4)	.56	.45
12-2782	(6)	WASHER-PLAIN MGB	74-74 1/2 (2)	2.44	1.95
12-2871	(7)	WASHER-LOCKING MGB	74-74 1/2 (2)	.44	.35
12-344	(8)	NUT MGB	74-74 1/2 (2)	.56	.45
12-762	(9)	BUMPER BOLT-CHROME MGB	74-74 1/2 (2)	1.81	1.45
12-760	(10)	SPACER MGB	74-74 1/2 (2)	1.81	1.45
12-2191	(11)	WASHER-PLAIN MGB	74-74 1/2 (2)	.44	.35
14-643	(12)	WASHER-LOCKING MGB	74-74 1/2 (2)	.44	.35
12-342	(13)	NUT MGB	74-74 1/2 (2)	.56	.45
18-835	(14)	BOLT-BRACKET/OVERRIDE MGB	74-74 1/2 (2)	1.19	.95
14-643	(15)	WASHER-LOCKING MGB	74-74 1/2 (2)	.44	.35
12-2191	(16)	WASHER-PLAIN MGB	74-74 1/2 (2)	.44	.35
12-762	(17)	BUMPER BOLT-CHROME MGB	74-74 1/2 (1)	1.81	1.45
12-760	(18)	SPACER MGB	74-74 1/2 (1)	1.81	1.45
12-2191	(19)	WASHER-PLAIN MGB	74-74 1/2 (1)	.44	.35
14-643	(20)	WASHER-LOCKING MGB	74-74 1/2 (1)	.44	.35
12-342	(21)	NUT MGB	74-74 1/2 (1)	.56	.45
9-602	(22)	FILLER-LH-BUMPER TO BODY MGB	74-74 1/2 (1)	6.19	4.95
9-603		FILLER-RH-BUMPER TO BODY MGB	74-74 1/2 (1)	6.19	4.95
12-454	(23)	SCREW-FILLER MGB	74-74 1/2 (6)	.24	.19
12-901	(24)	NUT-LOCKING MGB	74-74 1/2 (6)	.44	.35



Car Model	Chassis Number	Years
MGB Roadster	G-HN5-339095 to G-HN5-360300	1974-74 1/2
MGB-GT	G-HD5-339472 to G-HD5-361001	1974-74 1/2

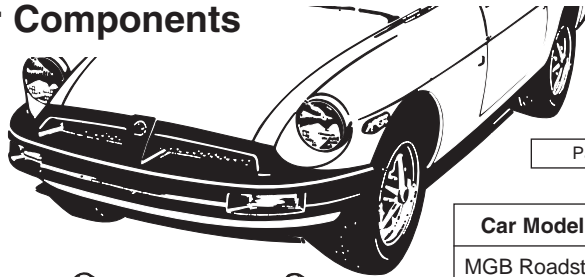
Note: "A" The original rear bumper bar for 1974-74 1/2 MGBs is no longer available. We supply the earlier bumper bar from 1971-74 for this application. Modification may be required.

20 BUMPERS / LICENSE PLATE MOUNTING

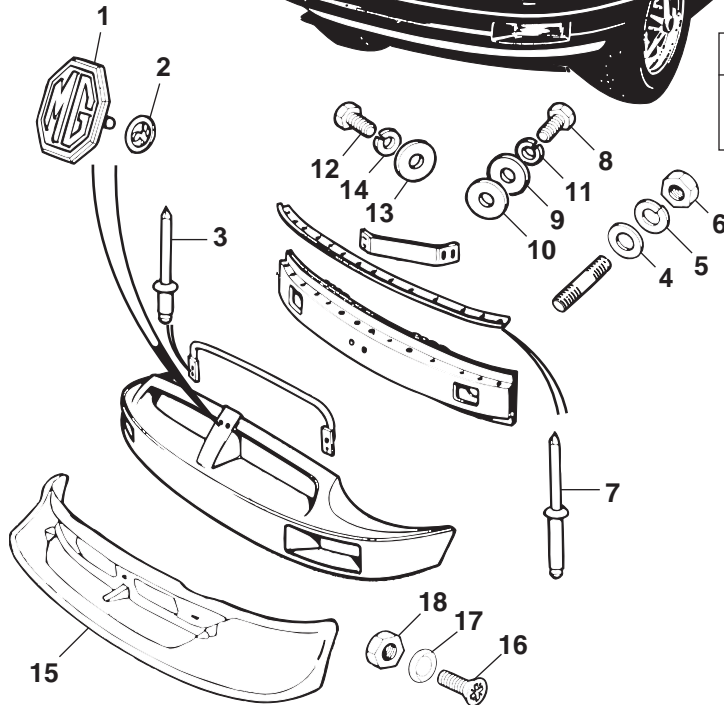
Front Bumper Components

MGB 1974 1/2-80

Hand Riveter Set
See Page 30



Parts shown without illustration numbers are NOT available.



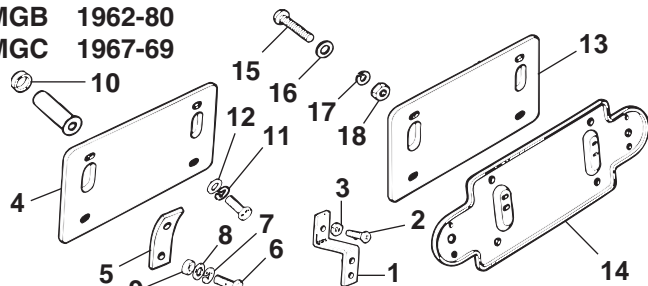
Car Model	Chassis Number	Years
MGB Roadster	G-HN5-360301 to G-HN5-523001	1974 1/2-80
MGB-GT	G-HD5-361001 to G-HD5-369100	1974 1/2-12/74

PART	ILL#	DESCRIPTION AND APPLICATION	REQD	LIST	SELL
9-9101	(1)	MG EMBLEM SILVER "MG" MGB	74 1/2-80 (1)	21.19	16.95
18-256		MG EMBLEM GOLD "MG" MGB	74 1/2-80 (1)	23.69	18.95
18-258		MG EMBLEM RED BACKGROUND MGB	74 1/2-80 (1)	18.69	14.95
12-2118	(2)	CLIP-EMBLEM PUSH ON MGB	74 1/2-80 (2)	1.19	.95
18-839	(3)	RIVET-FRONT SUPPORT MGB	74 1/2-80 (4)	.94	.75
14-398	(4)	WASHER-PLAIN MGB	74 1/2-80 (4)	.19	.15
14-643	(5)	WASHER-LOCKING MGB	74 1/2-80 (4)	.44	.35
12-342	(6)	NUT MGB	74 1/2-80 (4)	.56	.45
18-829	(7)	RIVET-CLAMPING PLATE MGB	74 1/2-80(28)	.56	.45
12-2547	(8)	BOLT-SUPPORT TO BODY MGB	74 1/2-80 (4)	.94	.75
12-2807	(9)	WASHER-PLAIN MGB	74 1/2-80 (4)	1.19	.95
12-2189	(10)	WASHER-PLAIN MGB	74 1/2-80 (4)	.44	.35
14-643	(11)	WASHER-LOCKING MGB	74 1/2-80 (4)	.44	.35
12-2547	(12)	BOLT-SUPPORT TO BUMPER MGB	74 1/2-80 (4)	.94	.75
12-2189	(13)	WASHER-PLAIN MGB	74 1/2-80 (4)	.44	.35
14-643	(14)	WASHER-LOCKING MGB	74 1/2-80 (4)	.44	.35
19-798	(15)	FRONT AIR DAM MGB	74 1/2-80 (1)	168.69	134.95
12-2264	(16)	BOLT-AIR DAM TO BODY MGB	74 1/2-80 (7)	.94	.75
18-841	(17)	CUP WASHER MGB	74 1/2-80 (7)	.56	.45
12-360	(18)	NUT-W/NYLON INSERT MGB	74 1/2-80 (7)	.94	.75

License Plate Mounting

MGB 1962-80

MGC 1967-69

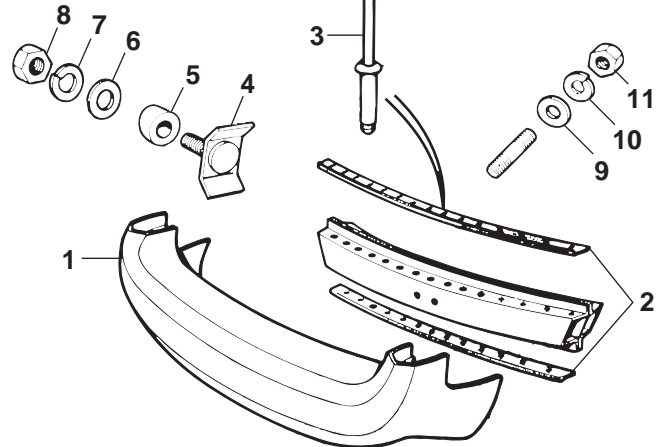


PART	ILL#	DESCRIPTION AND APPLICATION	REQD	LIST	SELL
19-035	(1)	BRACKET-MOUNT PLATE MGB MGC	62-74 1/2 (2)	6.19	4.95
12-2511	(2)	SCREW-BRACKET MGB MGC	62-74 1/2 (2)	.69	.55
12-193	(3)	WASHER-LOCKING MGB MGC	62-74 1/2 (2)	.31	.25
9-791	(4)	FRONT PLATE MOUNT MGB MGC	62-74 1/2 (1)	18.69	14.95
15-930		FRONT PLATE MOUNT-SS MGB MGC	62-74 1/2 (1)	43.69	34.95
19-020	(5)	MOUNT BRACKET-PLATE MGB MGC	62-74 1/2 (2)	6.19	4.95
12-2356	(6)	BOLT-BRACKET MGB MGC	62-74 1/2 (2)	.69	.55
12-193	(7)	WASHER-LOCKING MGB MGC	62-74 1/2 (2)	.31	.25
18-830	(8)	WASHER-PLAIN MGB MGC	62-74 1/2 (2)	.31	.25
12-1724	(9)	NUT MGB MGC	62-74 1/2 (2)	.44	.35
9-791	(4)	FRONT PLATE MOUNT MGB	74 1/2-80 (1)	18.69	14.95
12-768	(10)	DISTANCE PIECE MGB	74 1/2-80 (2)	2.44	1.95
12-2895	(11)	WASHER-LOCKING MGB	74 1/2-80 (2)	.69	.55
18-830	(12)	WASHER-PLAIN MGB	74 1/2-80 (2)	.31	.25
9-791	(13)	REAR PLATE MOUNT "A" MGB MGC	62-74 (1)	18.69	14.95
15-930		REAR PLATE MOUNT-SS "A" MGB MGC	62-74 (1)	43.69	34.95
9-790	(14)	REAR PLATE MOUNT "B" MGB	74-80 (1)	31.19	24.95
15-931		REAR PLATE MOUNT-SS "B" MGB	74-80 (1)	49.94	39.95
12-2358	(15)	SCREW-MOUNT PLATE MGB MGC	62-80 (2)	.69	.55
18-830	(16)	WASHER PLAIN MGB MGC	62-80 (2)	.31	.25
12-193	(17)	WASHER-LOCKING MGB MGC	62-80 (2)	.31	.25
12-1724	(18)	NUT MGB MGC	62-80 (2)	.44	.35

Note: "A" Roadster up to GHN5-339094. MGB-GT up to GHD5-339471.
"B" Roadster from GHN5-339095-on. MGB-GT from GHD5-339472-on.

Rear Bumper and Components

MGB 1974 1/2-80

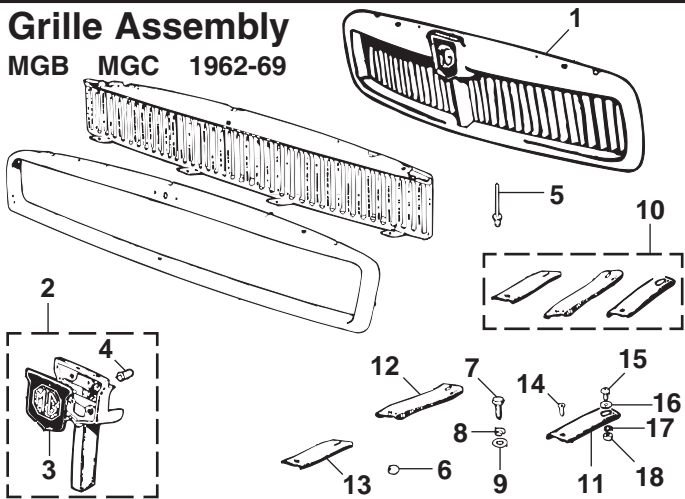


*After the sell price means Oversize Part Charge. Your order will incur a charge of \$20.00 for each oversized part.

PART	ILL#	DESCRIPTION AND APPLICATION	REQD	LIST	SELL
9-9247	(1)	REAR BUMPER-RUBBER MGB	74 1/2-80 (1)	1124.94	899.95 *
19-033	(2)	CLAMPING PLATE SET MGB	74 1/2-80 (1)	87.44	69.95
18-829	(3)	RIVET-BUMPER MGB	74 1/2-80(28)	.56	.45
14-536	(4)	BRACKET-SIDE FIXING MGB	74 1/2-80 (2)	6.19	4.95
18-840	(5)	DISTANCE PIECE MGB	74 1/2-80 (2)	2.44	1.95
14-663	(6)	WASHER-PLAIN MGB	74 1/2-80 (2)	.44	.35
12-3685	(7)	WASHER-LOCKING MGB	74 1/2-80 (2)	.44	.35
12-341	(8)	NUT MGB	74 1/2-80 (2)	.56	.45
14-398	(9)	WASHER-PLAIN MGB	74 1/2-80 (5)	.19	.15
14-643	(10)	WASHER-LOCKING MGB	74 1/2-80 (5)	.44	.35
12-342	(11)	NUT MGB	74 1/2-80 (5)	.56	.45

Grille Assembly

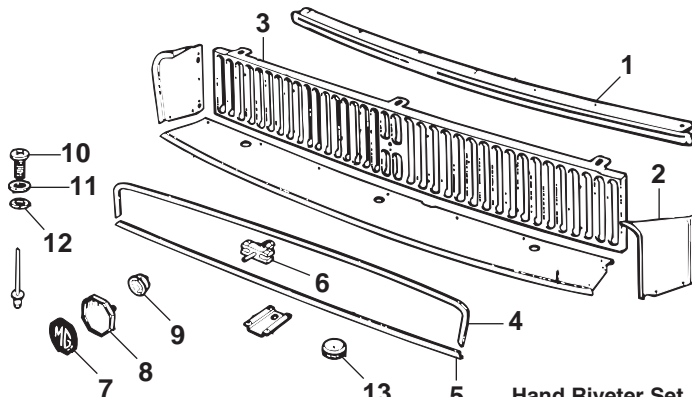
MGB MGC 1962-69



PART	ILL#	DESCRIPTION AND APPLICATION	REQD	LIST	SELL
9-986	(1)	GRILLE ASSEMBLY	MGB MGC 62-69 (1)	212.44	169.95
9-9248	(2)	CENTER BAR W/EMBLEM	MGB MGC 62-69 (1)	33.69	26.95
9-922	(3)	EMBLEM-BLACK "MG"	MGB MGC 62-69 (1)	13.69	10.95
12-4301	(4)	FIX-BADGE	MGB MGC 62-69 (4)	1.19	.95
12-1571	(5)	RIVET	MGB MGC 62-69 (6)	.31	.25
9-9157	(6)	RUBBER BUFFER-TOP GRILLE	MGB MGC 62-69 (3)	2.44	1.95
12-2511	(7)	SCREW-GRILLE TO BODY	MGB MGC 62-69 (3)	.69	.55
12-193	(8)	WASHER-SPRING	MGB MGC 62-69 (3)	.31	.25
12-2770	(9)	WASHER-FLAT	MGB MGC 62-69 (3)	.44	.35
9-9059	(10)	GRILLE MOUNT BRACKET KIT	MGB MGC 62-69 (1)	12.44	9.95
9-9057	(11)	BRACKET-LH	MGB MGC 62-69 (1)	6.19	4.95
9-9056	(12)	BRACKET-CENTER	MGB MGC 62-69 (1)	6.19	4.95
9-9058	(13)	BRACKET-RH	MGB MGC 62-69 (1)	6.19	4.95
12-2260	(14)	SCREW-BRACKET	MGB MGC 62-69 (3)	1.19	.95
12-2144	(15)	SCREW-BRACKET	MGB MGC 62-69 (3)	.56	.45
12-393	(16)	WASHER-FLAT	MGB MGC 62-69 (3)	.44	.35
12-2914	(17)	WASHER-SPRING	MGB MGC 62-69 (3)	.31	.25
12-1922	(18)	NUT	MGB MGC 62-69 (3)	.56	.45

Grille and Components

MGB 1970-72

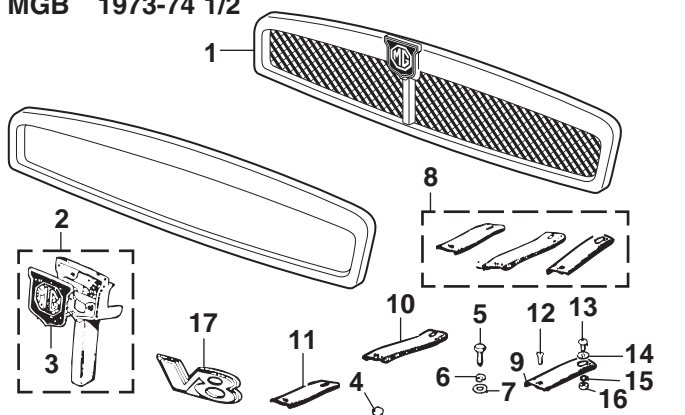


PART	ILL#	DESCRIPTION AND APPLICATION	REQD	LIST	SELL
9-901	(1)	HOOD MOLDING	MGB 70-72 (1)	24.94	19.95
9-904	(2)	PANEL-SIDE-LH GRILLE	MGB 70-72 (1)	74.94	59.95
9-905	(3)	GRILLE	MGB 70-72 (1)	62.44	49.95
9-9158	(4)	GRILLE FINISHER-UPPER	MGB 70-72 (1)	43.69	34.95
9-9335	(5)	GRILLE FINISHER-BOTTOM	MGB 70-72 (1)	33.69	26.95
12-233	(6)	CLIP-FINISHER	MGB 70-72(12)	1.19	.95
9-9100	(7)	GRILLE "MG" EMBLEM IPRONG	MGB 70-72 (1)	8.69	6.95
11-475	(8)	EMBLEM MOUNT BASE	MGB 70-72 (1)	28.69	22.95
12-4362	(9)	FASTENER-BASE	MGB 70-72 (1)	.44	.35
12-2356	(10)	SCREW-GRILLE TO PANEL	MGB 70-72 (3)	.69	.55
12-2770	(11)	WASHER-FLAT	MGB 70-72 (3)	.44	.35
12-4130	(12)	WASHER-SPRING	MGB 70-72 (3)	.44	.35
12-505	(13)	PLUG-BLANKING	MGB 70-72 (3)	2.44	1.95

Hand Riveter Set
See Page 30

Grille Assembly

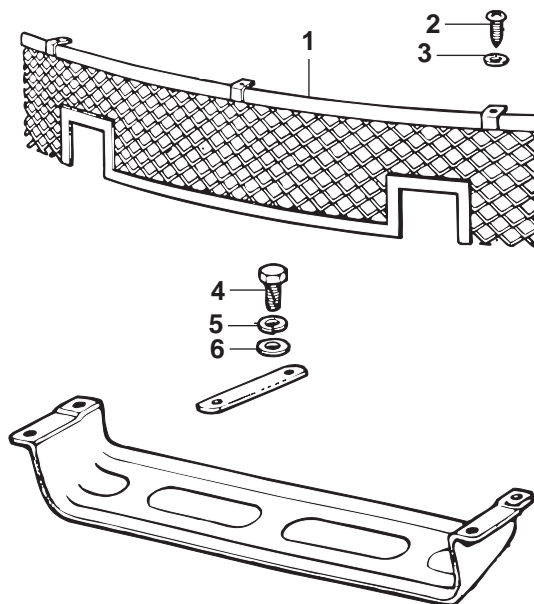
MGB 1973-74 1/2



PART	ILL#	DESCRIPTION AND APPLICATION	REQD	LIST	SELL
9-987	(1)	GRILLE ASSEMBLY	MGB 73-74 1/2 (1)	199.94	159.95
9-999	(2)	CENTER BAR W/EMBLEM	MGB 73-74 1/2 (1)	31.19	24.95
9-923	(3)	EMBLEM-RED "MG"	MGB 73-74 1/2 (1)	12.44	9.95
9-9157	(4)	RUBBER BUFFER-TOP GRILLE	MGB 73-74 1/2 (3)	2.44	1.95
12-2511	(5)	SCREW-GRILLE TO BODY	MGB 73-74 1/2 (3)	.69	.55
12-193	(6)	WASHER-SPRING	MGB 73-74 1/2 (3)	.31	.25
12-2770	(7)	WASHER-FLAT	MGB 73 74 1/2 (3)	.44	.35
9-9059	(8)	GRILLE MOUNT BRACKET KIT	MGB 73-74 1/2 (1)	12.44	9.95
9-9057	(9)	BRACKET-LH	MGB 73-74 1/2 (1)	6.19	4.95
9-9056	(10)	BRACKET-CENTER	MGB 73-74 1/2 (1)	6.19	4.95
9-9058	(11)	BRACKET-RH	MGB 73-74 1/2 (1)	6.19	4.95
12-2260	(12)	SCREW-BRACKET	MGB 73-74 1/2 (3)	1.19	.95
12-2144	(13)	SCREW-BRACKET	MGB 73-74 1/2 (3)	.56	.45
12-393	(14)	WASHER-FLAT	MGB 73-74 1/2 (3)	.44	.35
12-2914	(15)	WASHER-SPRING	MGB 73-74 1/2 (3)	.31	.25
12-1922	(16)	NUT	MGB 73-74 1/2 (3)	.56	.45
18-259	(17)	MGB V8 EMBLEM (DREAM ON)	MGB 73-74 1/2 (1)	16.19	12.95

Grille Panel and Components

MGB 1974 1/2-80



PART	ILL#	DESCRIPTION AND APPLICATION	REQD	LIST	SELL
9-9336	(1)	GRILLE-BLACK POWDER COAT	MGB 74 1/2-80 (1)	74.94	59.95
15-945	(2)	GRILLE-STAINLESS STEEL	MGB 74 1/2-80 (1)	187.44	149.95
12-456	(3)	SCREW TO PLATFORM	MGB 74 1/2-80 (3)	.44	.35
12-2186	(4)	WASHER-FLAT	MGB 74 1/2-80 (5)	.31	.25
12-2511	(5)	SCREW-STRAP	MGB 74 1/2-80 (4)	.69	.55
12-193	(6)	WASHER-SPRING	MGB 74 1/2-80 (4)	.31	.25
12-2187	(7)	WASHER-FLAT	MGB 74 1/2-80 (2)	.56	.45