

**A Tonneau Protects Your Interior**



PART	DESCRIPTION AND APPLICATION		LIST	SELL
9-427-BB	TONNEAU COVER MGB	62-64	437.44	349.95
9-428-BB	TONNEAU COVER MGB	65-70	399.94	319.95
9-430-BB	TONNEAU COVER MGB	71-80	412.44	329.95
9-429-BB	TONNEAU WITH HEADREST POCKETS MGB	69-70	449.94	359.95
9-431-BB	TONNEAU WITH HEADREST POCKETS MGB	71-80	424.94	339.95
9-428-BB	TONNEAU COVER MGC	67-69	399.94	319.95
9-429-BB	TONNEAU WITH HEADREST POCKETS MGC	67-69	449.94	359.95

You park with the top down, come back and ... Burn your little buns because of the sun? ... Wonder where your radio went? ... Do you have to rake out your car's interior in the fall? A new Tonneau Cover is the answer!

Tonneau Covers are made from the same fine quality preshrunk waterproof and continental crush grain leatherette finished material as the convertible tops.

Tonneau Covers are top quality because they are designed and assembled by the most skilled craftsmen in the industry. Available in black only. All seams are Dacron threaded and dielectrically heat sealed into the tonneau covers.

Tonneau Covers are heavily reinforced, especially at points of strain, to ensure long life. All hardware necessary for proper installation is supplied, but not installed. Call or go online and order yours today.

**Installation Tip For Fasteners:** Take a piece of chalk and coat the top of the fastener which is installed on the vehicle. Place the Tonneau Cover in position and stretch the material to the proper placement and push in against the fastener you covered with chalk. The chalk will leave a mark on the Tonneau Cover where the fasteners are to be installed. Remember, do not make the Tonneau Cover real tight, they do tend to shrink over time. For Body Fasteners, See Pages 30 and 31.

**Nose Bras - Add Style and Protection at the Same Time !**



Nose bras can be a stylish finishing touch as well as protecting your paint from flying intruders such as road debris and bugs. Made from high-quality weather-resistant black vinyl.

Easy to install, slips into place with padded, bendable straps to secure to fenders, front valances and bumpers.

PART	DESCRIPTION AND APPLICATION	LIST	SELL
15-242	NOSE BRA W/MG LOGO MGB MGC 62-74 1/2	124.94	99.95
15-243	NOSE BRA W/MG LOGO MGB 74 1/2-80	124.94	99.95

**License Plate Frames ... For a Finished Look**



Die cast Metal License Frames are a great value. Available in show chrome or black powder coat. Hardware not included.

PART	DESCRIPTION	LIST	SELL
15-655	CHROME FRAME-METAL	8.69	6.95
15-654	BLACK FRAME-METAL	8.69	6.95
15-622	FRAME-PLASTIC W/MGC	6.19	4.95

**VICTORIA BRITISH LTD.**

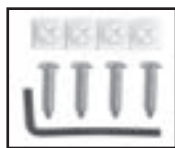
**License Plate**



This License Plate will make a colorful addition to your MGB or MGC. Made of durable and long-lasting 6" x 12" white plastic, this plate is recommended for extensive outdoor use because it is designed to withstand long exposure to the elements. The logo is screen printed in contrasting red and blue for great readability. Add a colorful touch to your car, call or go online and order your VICTORIA BRITISH LTD. License Plate today!

15-7420	VBL LICENSE PLATE	2.44	1.95
---------	-------------------	------	------

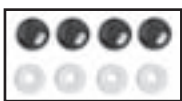
**Locking Fastener / Screw Cover Sets**



15-656

Keep your license plate safe and rattle free with new fasteners. For extra security, our Locking Fastener Set is stainless steel and uses special screws that are impossible to remove without the special key.

PART	DESCRIPTION	LIST	SELL
15-656	FASTENER SET-LOCKING	4.94	3.95



15-658



15-659

Complete the finished look with screw covers. Available in black and chrome to match your license frame. Use in any combination for the look you want.

PART	DESCRIPTION	LIST	SELL
15-658	SCREW COVER SET-BLACK	3.69	2.95
15-659	SCREW COVER SET-CHROME	3.69	2.95

**Flat License Plate Protector**



15-633

Acrylic License Plate Protector will protect your license plate from rock chips, dirt and road debris as well as discourage the theft of your registration tags. Available in clear. Call or go online and order today!

*May not be legal for street use; check your state and local laws before ordering.*

15-633	PLATE PROTECTOR-CLEAR	8.69	6.95
--------	-----------------------	------	------

## VB Car Cover™ ... Who Knew Protecting Your Vehicle's Finish Could Be So Inexpensive !

VB universal fit car covers provide protection from acid rain, dust, tree sap, industrial pollutants, harmful UV rays, animal traffic and bird droppings. Cover is not affected by temperature extremes. Fabric will not stretch or shrink and naturally resists rot and mildew. Elastic is sewn into the front and rear hems to ensure a snug fit. Car covers will actually pay for themselves by reducing the number of times you'll need to wash and wax your vehicle.

In summer a cover keeps the interior cooler and helps protect from the sun's damaging rays, which can cause fading and deterioration. In winter it can keep the snow and ice off your glass and finish.

Start protecting your car's finish from the elements, call or go online and order your car cover today.

*Antenna must be removed or an antenna grommet attached to your cover before use. See below for more information on antenna grommet.*

VB Car Cover™ offers three levels of vehicle protection, all economically priced; choose the cover that best fits your needs.



### VB 1000 – Designed for Moderate Weather Conditions

- Durable synthetic fabric has the look and feel of more expensive covers.
- Water resistant, yet breathable.
- Double-stitched seams for maximum strength.



PART	DESCRIPTION AND APPLICATION	REQD	LIST	SELL
9-482	VB 1000 CAR COVER MGB	62-80 (1)	62.44	49.95
9-482	VB 1000 CAR COVER MGC	67-69 (1)	62.44	49.95

### VB 3000 – Superior Protection at a Great Value

- Soft cushioning layer protects your paint.
- Superior breathable 3-layer synthetic fabric is highly water resistant, even during downpours.
- No-leak construction achieved through ultrasonic welding.
- UV-stable materials ensure a long life.
- Ideal for long-term vehicle storage.



PART	DESCRIPTION AND APPLICATION	REQD	LIST	SELL
9-484	VB 3000 CAR COVER MGB	62-80 (1)	112.44	89.95
9-484	VB 3000 CAR COVER MGC	67-69 (1)	112.44	89.95

### Deluxe Polishing Kit



17-892

Deluxe Polishing Kit is for use on materials ranging from aluminum, brass, copper, iron, steel, stainless steel and chrome, to wood or even plastic. The kit includes: six 4 ounce bars of assorted polishing compounds, 12 assorted buffing wheels with 1/4" diameter shank to allow use with any standard electric drill and instructions with color-coded chart to aid in selecting the correct compound based on the type of material being polished.

Replacement Compound Bars sold separately, see below. The perfect kit for all of your polishing needs! Call or go online and order yours today!

PART	DESCRIPTION AND APPLICATION	REQD	LIST	SELL
17-892	DELUXE POLISHING KIT	(1)	62.44	49.95
17-893	POLISHING COMPOUND-1LB BLACK	A/R	9.94	7.95
17-894	POLISHING COMPOUND-1LB BLUE	A/R	9.94	7.95
17-895	POLISHING COMPOUND-1LB BROWN	A/R	9.94	7.95
17-896	POLISHING COMPOUND-1LB GREEN	A/R	9.94	7.95
17-897	POLISHING COMPOUND-1LB RED	A/R	9.94	7.95
17-898	POLISHING COMPOUND-1LB WHITE	A/R	9.94	7.95

### VB 4000 – Best Protection for Your Car

- Designed for the car enthusiast.
- 4-layer synthetic fabric has fleece-lined bottom layer to protect fine automotive finishes.
- Durable outer layer, breathable 2nd layer, protective 3rd layer, soft fleece 4th layer.
- High water resistance - virtually waterproof yet breathable.
- Ultrasonic welding seals seams tight.
- Patented UV Stabilizer is used to ensure a long life.
- Ideal for long-term vehicle storage.
- Tie-down strap and buckle attached with strap pocket built into cover for easy storage.



PART	DESCRIPTION AND APPLICATION	REQD	LIST	SELL
9-486	VB 4000 CAR COVER MGB	62-80 (1)	162.44	129.95
9-486	VB 4000 CAR COVER MGC	67-69 (1)	162.44	129.95

Keep your car cover from being ripped-off by thieves or high winds with this security cable and lock. Sides of VB Car Cover™ are equipped with plastic grommets to accommodate the security cable.



12-190

PART	DESCRIPTION AND APPLICATION	LIST	SELL
12-190	CAR COVER LOCK KIT ALL CAR COVERS	9.94	7.95

Eliminate the need to remove the antenna each time you install your cover. Once attached to any size cover, this soft rubber antenna grommet will easily fit over any antenna mast up to 1/2" in diameter. Made from soft rubber, the antenna grommet won't scratch or damage the finish on your vehicle. Includes easy-to-follow instructions.



9-123

PART	DESCRIPTION AND APPLICATION	LIST	SELL
9-123	ANTENNA GROMMET-RUBBER ALL CAR COVERS	3.69	2.95

### Fender Cover Protects Your Car's Finish



15-021

These durable fender covers are made from the best fender cover material ... a polyvinyl chloride (PVC) that resists automotive chemicals and clings to the surface of the vehicle while it prevents tools from sliding off. You will appreciate the 1/4" thick material that conforms to any fender yet won't scratch your car's finish.

The PVC material cleans up easily with soap and warm water to stay looking like new. This fender cover is the perfect protection for your car's finish while you work on the engine. Call or go online now and order yours today.

PART	DESCRIPTION AND APPLICATION	LIST	SELL
15-021	FENDER COVER 24" X 36" BLACK W/WHITE LOGO	24.94	19.95

**Headlight Protection Film**



10-662

Protect your lights from the hazards of the open road with Headlight Protection Film. Made from scratch-resistant, 30-mil thick press-polished PVC material that features a UV inhibitor to prevent shrinking and discoloration combined with the strongest optically clear adhesive available for maximum durability and distortion-free light transmission. These light protection films were tested under the harshest of conditions. They have

proven to withstand a barrage of 1" diameter stones at speeds up to 120 mph with no damage to the lens they protect. Kit contains pre-cut film, installation squeegee and instructions.

PART	DESCRIPTION AND APPLICATION	REQD	LIST	SELL
10-662	HEADLIGHT PROTECTION FILM KIT	7" CUSTOM (1)	21.19	16.95

**Door Edge Protection Film**



15-668

Made from rugged, clear 8-mil thick polyurethane paint protection film that features a clear-coat finish for maximum shine and durability. Once applied, this material is virtually invisible yet helps prevent chipping, scratching and scuffing to the vulnerable areas on the door edges. Contains 3/8" wide x 12' roll and instructions.

PART	DESCRIPTION AND APPLICATION	REQD	LIST	SELL
15-668	DOOR EDGE PROTECTION FILM	(1)	16.19	12.95

**Threshold Protection Film**

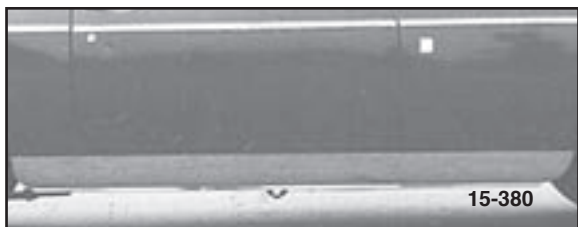


15-669

Made from rugged, clear 8-mil thick polyurethane paint protection film that features a clear-coat finish for maximum shine and durability. Once applied, this material is virtually invisible yet helps prevent chipping, scratching and scuffing to the vulnerable painted surfaces inside your vehicle's doorjamb. Kit contains 2-3/4" wide x 5' roll, installation squeegee and instructions.

PART	DESCRIPTION AND APPLICATION	REQD	LIST	SELL
15-669	THRESHOLD PROTECTION FILM	A/R	24.94	19.95

**Stainless Steel Rocker Panel Overlay Kit Covers Your Rusty Rockers**



15-380

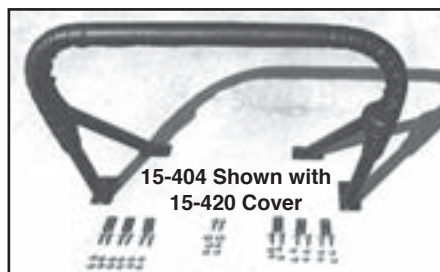
Are your rocker panels rusted out? If you wish to dress up the appearance of your car, without the cost of replacing your rocker panels, or if you just want to protect your undamaged rocker panels, this Stainless Steel Rocker Panel Overlay Kit is the buy for you.

Installation is easy, simply hold the overlay against the car while a friend drills a 1/8" hole in the lower part of the rocker panel where the pre-drilled holes are on the overlay. Using self-tapping screws, screw the overlay into place. It's best to use some type of sealant to seal each end of the overlay for a firmer fit. Call or go online and order yours today to improve and protect your rocker panels.

PART	DESCRIPTION AND APPLICATION	REQD	LIST	SELL
15-380	OVERLAY KIT-S/S 4 PIECE LH & RH W/FINISHER STRIPS	MGB 62-80 (1)	249.94	199.95

*Made in England*

**Roll Bars - Performance Styling for Your Classic**



15-404 Shown with 15-420 Cover

- Made of sturdy 1-3/4" diameter x .120" steel tubing. All hardware and instructions are supplied.
- May need black gloss paint to touch-up before installing.

Roll bars have always been a popular accessory making your sports car even sportier. This fun accessory is designed for street style and is not intended as safety equipment or a substitute for safe and careful driving. Neither the manufacturer nor the retailer assumes any responsibility or liability.

Optional padded 5 foot long cover enhances appearance and protects against casual contact. Made from high-quality foam rubber-backed black Naugahyde. Attaches by full length Velcro fastener and snaps; easily fits most 1-3/4" sports car roll bars. Adds that finishing touch to any installation. Call or go online and order yours today.

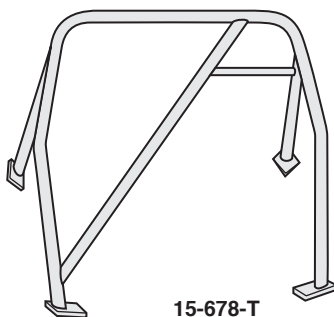
\*After the sell price means Oversize Part Charge. Your order will incur a charge of \$20.00 for each oversized part. Additional delivery time required.

PART	DESCRIPTION AND APPLICATION	LIST	SELL
15-404	ROLL BAR 25" TALL	MGB 62-80	624.94 499.95 *
15-404	ROLL BAR 25" TALL	MGC 67-69	624.94 499.95 *

**Roll Bar Cover Sold Separately**

15-420	ROLL BAR COVER BLACK	MGB B-GT MGC C-GT	124.94	99.95
--------	----------------------	-------------------	--------	-------

**Racing Roll Bars ... SCCA Approved**



15-678-T

Racing Roll Bars are designed to meet high quality control standards. They are made of 1-3/4" x .120" tubing that is MIG welded in a precision fixture. Roll Bars are approved for SCCA competition.

Each Roll Bar comes complete with grade 5 fasteners, back up plates and instructions for easy installation. The finish on the Roll Bars is a high gloss black that may need touch-up before installing.

Call or go online and order your Racing Roll Bar today!

**SCCA Approved for Competition**



These Roll Bars are SCCA approved for SCCA classifications where roll bars are required such as Vintage, Solo, Autocross, etc.

They are NOT rollcages and therefore not acceptable in classifications where rollcages are required.

-T after a part number means that part must be shipped Truck Freight. The prepaid order will include a \$125.00 charge for delivery in the 48 contiguous United States. Orders outside of the 48 states will be quoted. Additional delivery time required.

PART	DESCRIPTION AND APPLICATION	LIST	SELL
15-678-T	RACING ROLL BAR "A" MGB	62-80	749.94 599.95

Note: "A" Taller than standard bar. Does not allow top use.

## "Special Tuning" Front Air Dam Reduces Drag for Greater Speed



The "Special Tuning" Front Air Dam was specifically designed for your car to reduce drag. Fully wind tunnel tested, the front air dam divides oncoming air, guiding it smoothly along the surface of the body. Reducing drag improves fuel economy and improves high-speed performance. Installs under the bumper after removing the front body apron.

\*After the sell price means Oversize Part Charge. Your order will incur a charge of \$20.00 for each oversized part. Additional delivery time required.

PART	DESCRIPTION AND APPLICATION	REQD	LIST	SELL
15-702	SPECIAL TUNING AIR DAM-FRONT MGB MGC	62-80 (1)	199.94	159.95 *

## OE Front Air Dam ... The Grace of Original Style



- Designed to give your car an individual appearance.
- Can be painted to match your car.
- Aerodynamic design helps to reduce fuel consumption and make the car more stable in crosswinds, improving performance.

PART	DESCRIPTION AND APPLICATION	REQD	LIST	SELL
19-798	FRONT AIR DAM MGB	74 1/2-80 (1)	168.69	134.95

## Mud Flaps Protect Your Car from Damaging Road Debris

Mud Flaps protect your car from mud, stones, salt and any other road debris that may chip your paint or cause damage to the underbody of your car.

In addition to giving your MG a performance look, these mud flaps have a logo design that won't fade or stretch out of shape. Comes with attaching hardware. Easy to install.



**Made in England**

PART	DESCRIPTION AND APPLICATION	REQD	LIST	SELL
15-390	MUD FLAPS-SOLD IN PAIRS MGB MGC	62-80 (1)	23.69	18.95

## Ureflex Air Dam Helps You Blast a Hole Through the Air



Race car styling, with proven aerodynamic design, that reduces wind resistance for improved handling. Creates negative pressure under the car to improve airflow to the engine and brakes. Made of Ureflex, a molded polyurethane, that will flex and return to its original shape. Paintable or use as is in black finish. Includes mounting hardware and instructions.

PART	DESCRIPTION AND APPLICATION	REQD	LIST	SELL
15-251	UREFLEX AIR DAM-FRONT MGB MGC	62-80 (1)	237.44	189.95

## Flush Fitting Rear Valance Improves the Way Your MGB Hugs the Road



A Flush Fitting Rear Valance helps divert exiting airflow out around the back sides of your car, limiting swirling air pressure that lifts the back of your MGB. Comes in white, made of traditional fiberglass. Because of the nature of fiberglass, Rear Valance may require sanding and fitting. The rear bumper of your MGB must be removed before fitting, check local laws about rear bumper removal before ordering.

PART	DESCRIPTION AND APPLICATION	REQD	LIST	SELL
15-706	REAR VALANCE-FLUSH FITTING MGB MGC	62-80 (1)	312.44	249.95

## MGB Flexi-Wing Inner Fender Shield



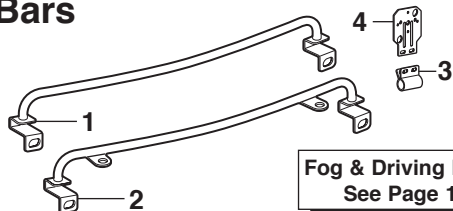
Designed to fit under the front fender and protect the inner bulkhead and lighting area from the effects of mud, stones and other harmful debris.

You must drill mounting holes in car and Flexi-Wing. Hardware included.

**Made in England**

PART	DESCRIPTION AND APPLICATION	REQD	LIST	SELL
15-770	FRONT INNER FENDER SHIELD SET MGB	62-80 (1)	124.94	99.95

**Badge Bars**



**Fog & Driving Lamps**  
See Page 166

Add style to your 1962-74 MGB or MGC with one of our Badge Bars. Available in two types: one for mounting badges only and one for badge and accessory fog/driving lamp mounting. These Badge Bars utilize existing bumper mounting hardware to attach.

PART	ILL#	DESCRIPTION AND APPLICATION	REQD	LIST	SELL
10-308	(1)	BADGE BAR MGB MGC	62-74 (1)	124.94	99.95
10-309	(2)	BADGE/LAMP BAR MGB MGC	62-74 (1)	162.44	129.95
14-790	(3)	CLIP-BADGE BAR MGB MGC	62-74 A/R	6.19	4.95
11-485	(4)	PLATE-BADGE BAR MGB MGC	62-74 A/R	9.94	7.95

**Embroidered Logo Hats**



15-7175



15-7195

These 100% cotton low profile embroidered hats are comfortable and stylish. One size fits all with an adjustable rear strap. The khaki and blue Victoria British hat has a velcro strap. The red and black MG hat has a leather strap.

PART	DESCRIPTION AND APPLICATION	LIST	SELL
15-7175	MG LOGO BALL HAT RED CROWN W/BLACK LOGO & BILL	18.69	14.95
15-7195	VICTORIA BRITISH LOGO BALL HAT KHAKI/BLUE	18.69	14.95

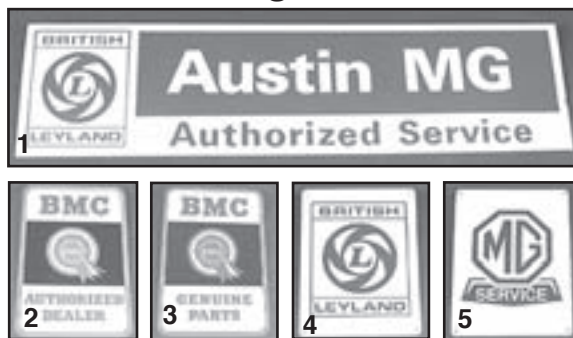
**Car Badges**



Car Badges have a distinguishing look that makes them ideal gifts, great car club awards and creative decorations. #9-270 measures 1-3/8" x 2-1/4" and all other badges measure 4" in diameter.

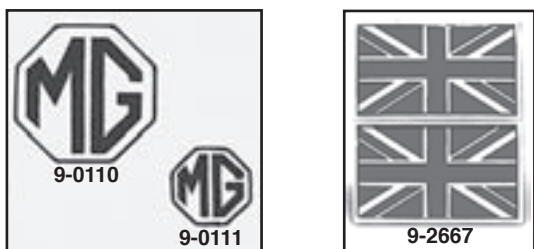
PART	DESCRIPTION AND APPLICATION	LIST	SELL
9-254	CAR BADGE 4" ENGLAND	23.69	18.95
9-257	CAR BADGE 4" MG	24.94	19.95
9-250	CAR BADGE 4" ROYAL AUTO CLUB	23.69	18.95
9-270	ENAMEL FLAG MEDALLION BRITISH FLAG EACH	16.19	12.95

**British Service Signs**



PART	ILL#	DESCRIPTION AND APPLICATION	LIST	SELL
15-070	(1)	"AUSTIN MG" 12" X 48"	49.94	39.95
15-073	(2)	"BMC AUTHORIZED DEALER" 18" X 27"	74.94	59.95
15-072	(3)	"BMC GENUINE PARTS" 18" X 27"	74.94	59.95
15-075	(4)	"BRITISH LEYLAND" 12" X 16"	31.19	24.95
15-074	(5)	"MG SERVICE" 12" X 16"	31.19	24.95

**Let Them Know You Own an MG !**



PART	DESCRIPTION AND APPLICATION	REQD	LIST	SELL
9-0110	JACKET PATCH - MG LARGE BLACK & WHITE		11.19	8.95
9-0111	JACKET PATCH - MG SMALL BLACK & WHITE		7.44	5.95
9-2667	UNION JACK FLAG-MYLAR SOLD AS A PAIR (1)		4.94	3.95

**MG Mouse Pad**



This colorful mouse pad will brighten your home or office with the MG spirit. Designed by an artist at British Motor Heritage. Pad measures 10-1/4" x 8" with plastic surface over a foam backing.

*Mouse not included.*

PART	DESCRIPTION AND APPLICATION	LIST	SELL
15-277	MGB MOUSE PAD 10-1/4" X 8"	21.19	16.95

**VICTORIA BRITISH LTD. Logo Decals**



Decals are printed in red and blue on white vinyl with a clear polyester coating that protects against abrasions, some solvents, oil, gasoline and even some acids. The permanent adhesive backing is pressure sensitive for easy application. Jacket Patches are embroidered with the same colors as the Decals and look great on any jacket.

PART	DESCRIPTION AND APPLICATION	LIST	SELL
15-7400	VICTORIA BRITISH RACING TEAM DECAL 3.5"	1.19	.95
15-7401	VICTORIA BRITISH RACING TEAM DECAL 8.0"	3.06	2.45
15-209	VICTORIA BRITISH LTD DECAL 3.0" ROUND	.81	.65
15-7412	VICTORIA BRITISH LTD JACKET PATCH 5.0" ROUND	7.44	5.95

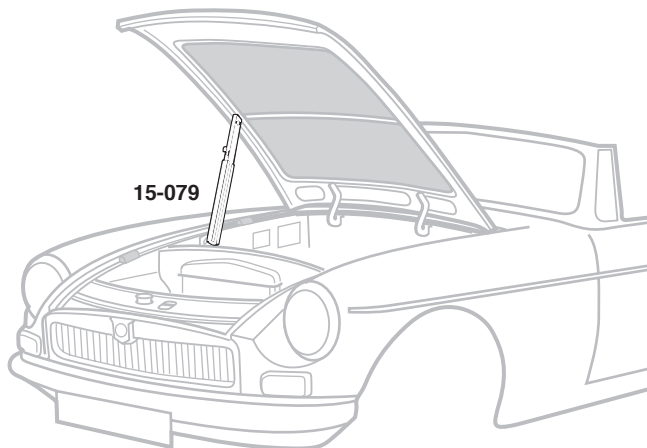
**Leather Key Fobs**



Keep track of your new keys with these Leather Key Fobs. They feature an enamel logo of your favorite British sports car or the Union Jack flag.

PART	DESCRIPTION AND APPLICATION	LIST	SELL
9-0207	KEY FOB-MG OCTAGON SILVER / BLACK	16.19	12.95
9-0205	KEY FOB-MG OCTAGON SILVER / GREEN	12.44	9.95
9-0208	KEY FOB-MG OCTAGON SILVER / RED	12.44	9.95
9-0218	KEY FOB-LEYLAND SILVER / BLUE	12.44	9.95
9-0229	KEY FOB-UNION JACK SILVER / RED / BLUE	8.69	6.95

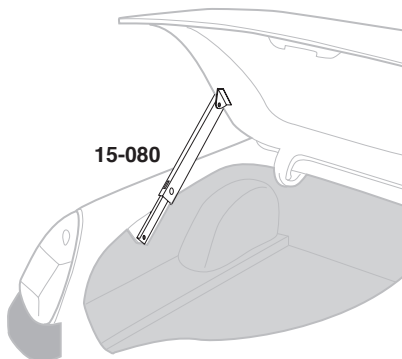
**Self-Triggering Hood and Trunk Lid Prop**



15-079

Replace your old hood and trunk lid prop and you only need one hand to operate your trunk lid ... convenient for loading packages, tools, etc. Open your hood or trunk lid and the prop locks, then lift slightly before lowering to release the prop.

PART	DESCRIPTION AND APPLICATION	REQD	LIST	SELL
15-079	HOOD PROP-SELF TRIGGER 219001- MGB	70-80 (1)	41.19	32.95

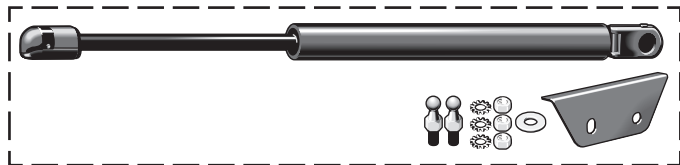


15-080

Reduces the possibility of your hood or trunk lid being ruined by someone trying to force it shut against the rigid factory prop. Your hood and trunk lid will also open farther than with the factory prop. Looks like OE equipment and installs easily to existing mounts.

PART	DESCRIPTION AND APPLICATION	REQD	LIST	SELL
15-080	TRUNK PROP-SELF TRIGGER 219001- MGB	70-80 (1)	41.19	32.95

**Trunk Lid Gas Strut for Roadster**



15-086

Stop beating yourself over the head, order a new Trunk Lid Gas Strut today. This Trunk Lid Gas Strut utilizes state-of-the-art design and engineering and is made of the highest quality materials.

Simple bolt-on installation, no drilling required. Hardware and instructions included.

PART	DESCRIPTION AND APPLICATION	REQD	LIST	SELL
15-086	GAS STRUT-TRUNK LID 219001- MGB	71-80 (1)	37.44	29.95

**Dual Gas Strut Kits for your MGB**

Add modern convenience to your car with Dual Gas Strut Kits. Replace the single factory prop with dual gas struts which support both sides evenly to prevent damage from bending. Kit requires drilling for installation. Hardware and instructions included.

**Dual Gas Strut Hood Kit**

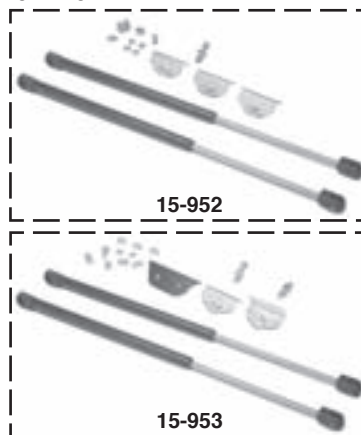


15-951

Reduce the strain on your back and have a better view under your hood after installing a Dual Gas Strut Hood Kit. Your hood will open to a near vertical position for better lighting, more elbow and headroom while performing routine maintenance or repairs.

PART	DESCRIPTION AND APPLICATION	REQD	LIST	SELL
15-951	DUAL GAS STRUT KIT-HOOD MGB	62-80 (1)	74.94	59.95

**Dual Gas Strut Trunk Kit**



15-952

15-953

Enjoy the convenience of a trunk lid that rises by itself. Dual gas struts allow you to easily open and close your trunk with one hand.

PART	DESCRIPTION AND APPLICATION	REQD	LIST	SELL
15-952	DUAL GAS STRUT KIT-TRUNK MGB	62-70 (1)	74.94	59.95
15-953	DUAL GAS STRUT KIT-TRUNK MGB	71-80 (1)	74.94	59.95

**Dual Gas Strut Hatch Kit**



15-954

Convert your worn, greasy steel springs on your GT to dual gas struts. This kit prevents holes and tears to your hatch panels caused by the factory springs.

PART	DESCRIPTION AND APPLICATION	REQD	LIST	SELL
15-954	DUAL GAS STRUT KIT-HATCH MGB/C-GT	65-75 (1)	87.44	69.95